

HLR IAQ Sensor

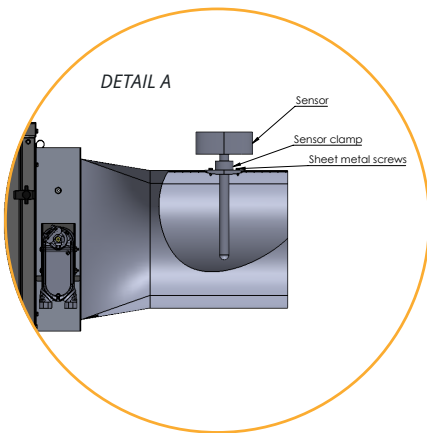
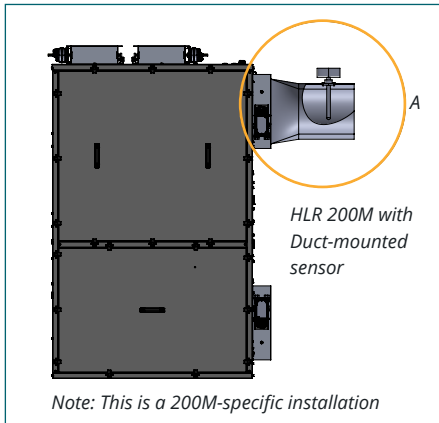
Indoor Air Quality Sensor with BACnet Compatibility



Indoor Air Quality Monitoring with Building Systems

The HLR IAQ Sensor measures carbon dioxide (CO₂), total volatile organic compounds (TVOC), temperature and humidity in the return air from the areas served by the HLR module. The Inlet Sensor is a high-quality, maintenance-free digital sensor with both automatic and manual calibration capabilities. It measures CO₂ levels between 350 and 5000 ppm and reports TVOC with a 0-100% range.

The optional sensor is installed on the return air side of HLR module and is available in wall or duct-mount versions. It is connected to the CIPer controller using the supplied cabling and USB adapter. The CIPer controller is field-configurable to display the sensor readings. All measured values are also available to building systems over BACnet IP. Detailed setup instructions are in the HLR installation guides.



Data points	Total volatile organic compounds (TVOC), carbon dioxide (CO ₂), temperature, and relative humidity
Measuring range, CO ₂	350-5000 ppm
Measuring accuracy, CO ₂	Typically ± 30 ppm ± 3% of measured value
Sensor, CO ₂	Optical NDIR sensor (non-dispersive infra-red technology) with automatic and manual calibration
Measuring range, VOC	0 -100% air quality; referred to calibrating gas; multi-range switching VOC sensitivity low, medium, high
Measuring accuracy, VOC	±20% of final value (referred to calibrating gas)
Sensor, VOC	VOC sensor (metal oxide) with automatic calibration (VOC = volatile organic compounds)
Response time	< 2 minutes
Service life	> 60 months (under normal load conditions)
Housing dimensions	5.0 x 3.5 x 2.0" (126 x 90 x 50 mm)
Long-term stability	< 2 % in 15 years
Protection class	Class III (according to EN 60730)
Protection type	IP 65 (according to EN 60 529)-housing only
Standards	CE conformity, EMC according to EN 61 326, EMC Directive 2014/30/EU

For full specifications, visit <https://enverid.com/iaqsensor>

enverid.com · 1.617.795.4000 · info@enverid.com

Energy Savings. Air Quality.

enVerid Systems, the leading provider of sustainable indoor air quality (IAQ) solutions, helps buildings achieve air quality goals, save money, and reduce energy consumption and carbon emissions. Its flagship HVAC Load Reduction® (HLR) modules are award-winning air cleaners that deliver up to 40% HVAC energy savings and superior indoor air quality in new and existing buildings. For new HVAC systems, HLR modules also enable immediate capital cost savings. At the core of all HLR modules is enVerid Sorbent Ventilation Technology™ (SVT™), uniquely designed to capture gaseous contaminants that degrade indoor environmental quality. enVerid's HEPA air filtration products remove particulate and microorganism contamination, including viruses, from indoor air without the significant cost of upgrading mechanical systems and increasing mechanical ventilation rates. enVerid's products are deployed in commercial, academic, and government buildings globally. Its air cleaning products are ASHRAE Standard 62.1, LEED® and WELL compliant and eligible for utility rebates. For more information, please visit enverid.com.