

enVerid Air Purifier

Operation and Maintenance Guide



Operation

- Do not put your finger or other material into the air suction port or the exhaust port.
- Do not use near flammable materials, water, in places of extreme temperature, or very high humidity.
- Stop use immediately if the machine starts to vibrate excessively, make unusual noises, overheats or starts to smell.

Control Panel

STATUS

- The system is in operation when the light is on.

SPEED DISPLAY AREA

- Displays the current speed of air volume.

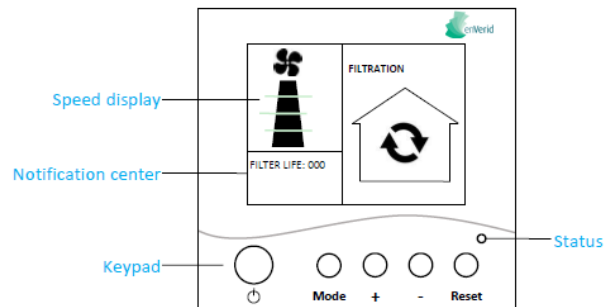
NOTIFICATION CENTER

- **MAINTENANCE:** Appears first when the filter life is less than 30 days, and starts flickering when the filter life is less than 10 days.
- **FILTER LIFE:** Check remaining days of the filter.
- **REPAIR:** Appears when there is a fault.

KEY PAD

- ⏻ On/Off
 - + Increase air volume.
 - Decrease air volume.
- Reset:** Short press to check the remaining days of the filter, and long press for 10 seconds to reset counter.

CONTROL PANEL INTERFACE



Trouble Shooting

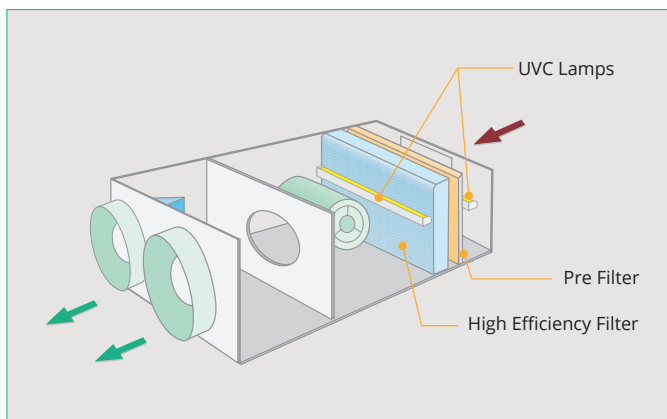
ISSUE	ACTION
Does not turn on	Check power source.
Display shows "MAINTENANCE"	Check whether filter replacement is required. If filter has been replaced, long press the "Reset" button to reset the timer.
Display shows "REPAIR"	Stop using the Air Purifier immediately and contact a licensed contractor.
Loud noise during operation	Check whether filter replacement is required. If filter replacement is not required, stop using the Air Purifier immediately and contact a licensed contractor.

Routine Maintenance

Make sure the power is turned off before performing maintenance.
All maintenance should be performed by a licensed contractor.
Only enVerid supplied filters should be used to ensure performance.

Maintenance Requirements

The high efficiency filter should be replaced every 6 months when the UVC lamp is used and every 12 months if the UVC lamp is not used by removing the UVC lamps from the unit.



The washable pre-filter should be washed whenever the high efficiency filter is replaced and replaced every 2 years.

The UVC lamps (2x) should be replaced every 9,000 hours and cleaned whenever the high efficiency filter is replaced.

The Maintenance light on the Control Panel lights up when the high efficiency filter life is less than 30 days and blinks when the high efficiency filter life is less than 10 days. Filter life is determined based on a countdown of the number of days since the counter was re-set. For most models, the counter is based on 182 days or six months. In some models, the counter is based on 365 days. The Reset button can be used to re-set the maintenance schedule for the high efficiency filter. The days remaining on the high efficiency filter can also be viewed in the notification center under the speed display on the LCD controller.

Used filters should be bagged and disposed of like other HVAC filters.

Contact your trash removal service to determine the appropriate disposal method for used UVC lamps.

Replacement parts can be ordered from the distributor who sold you the enVerid Air Purifier or from enVerid directly by calling +1 617-795-4000 or emailing info@enverid.com.